



MD SERIES



MASCOT MD Series hydraulic motors are designed for high power and high speed applications. Most of the belt conveyors are driven by MD Series motors. In addition, these motors are most suited for use in Feeder Breaker, Ball Mills and Bowl Mills. Optionally, a brake can be fitted in the front end of the motor.

The motor displacements available range from 12 lit/rev. to 15 lit/rev. They aim to provide a wide variety of precise hydraulic motor and pump combinations. These motors can take heavy shock loads due to the incorporation of a robust front bearing arrangement.

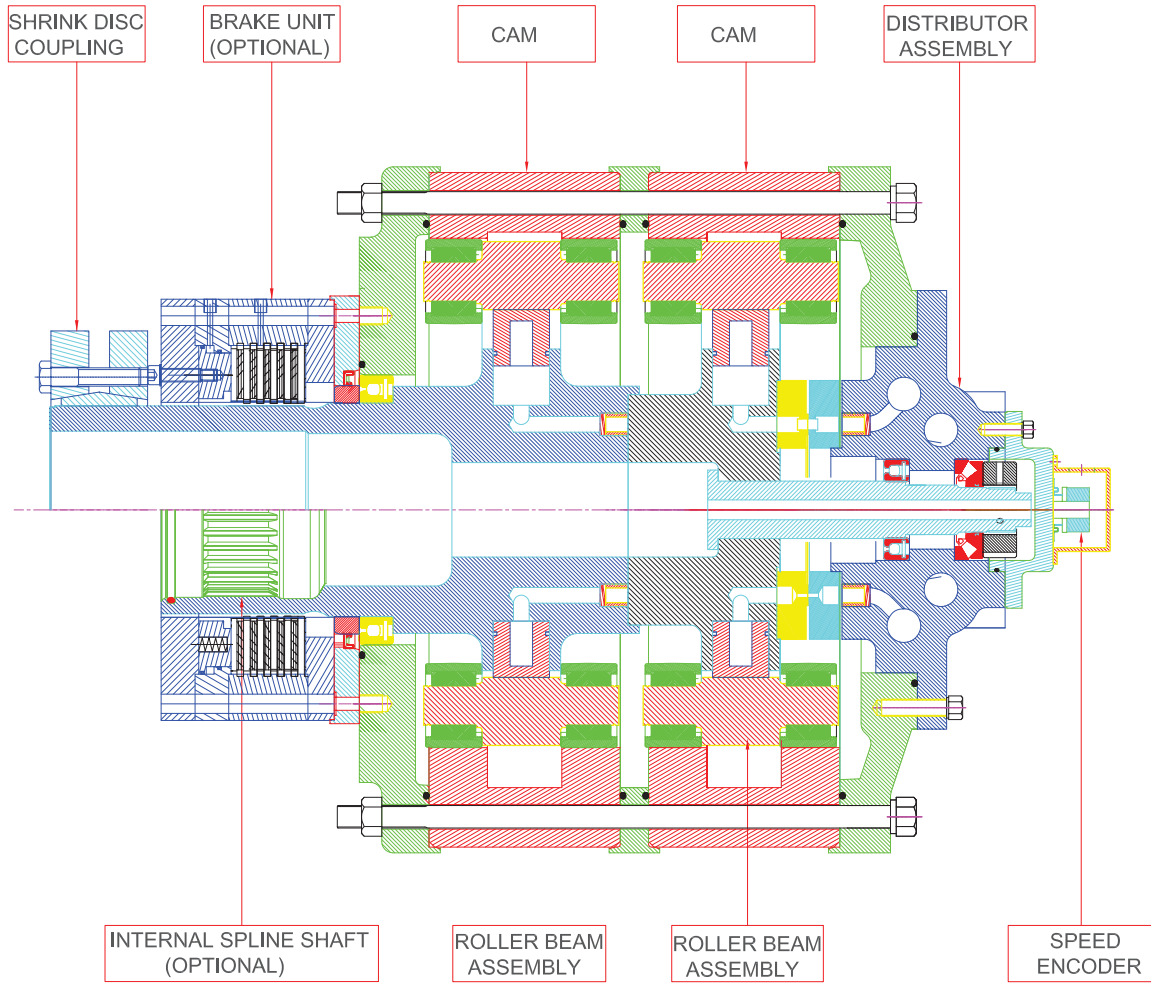
OPTIONS

- CUSTOMIZED SHAFT
- INTEGRAL MULTI PLATE DISC BRAKE
- HIGH SPEED VERSIONS
- DOUBLE SHAFT
- SUPER LOW NOISE
- CORROSION RESISTANT MATERIAL
- THROUGH HOLE SHAFT OF VARIOUS SIZES
- CUSTOM FINISH
- DEEP WATER SUBMERSIBLE
- NON MAGNETIC MATERIAL
- DUAL DISPLACEMENT

FEATURES

- LONG LIFE
- HIGH MECHANICAL EFFICIENCY
- CONSTANT TORQUE OUTPUT
- SMOOTH LOW SPEED PERFORMANCE<1RPM
- RESISTANCE TO THERMAL SHOCK
- DOUBLE SHAFT SEALING
- SHRINK DISC COUPLING
- SHAFT OR FLANGE MOUNTING
- SHOCK RESISTANCE
- LOW NOISE

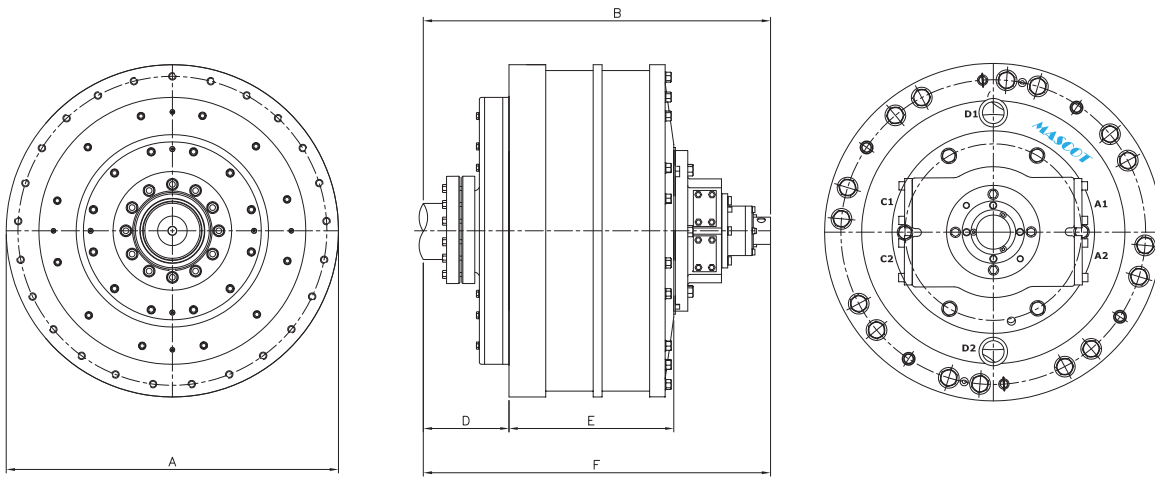
MASCOT HYDRAULIC MOTOR



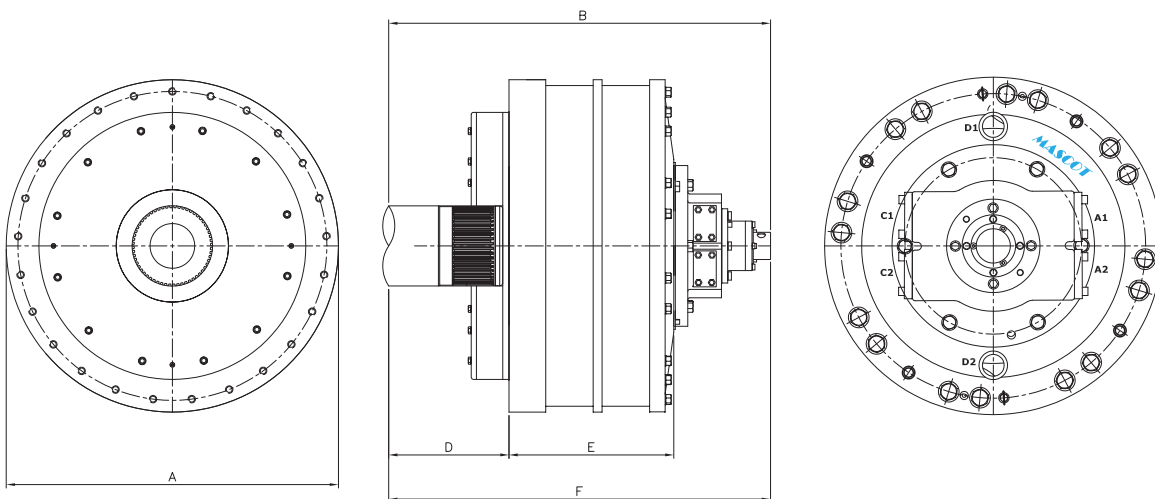
MOTOR FRAME SIZE	SPECIFICATION					
	DISP(*) PER REV	TORQUE (THEORETICAL)	TORQUE MAX	SPEED RATED	SPEED MAX**	PRESSURE RATED
METRIC	CM ³ /REV	NM/BAR	NM	RPM	RPM	BAR
HM12	12760	200	66000	75	100	345
HM13.5	13540	215	70950	75	110	345
HM15	15160	241	79530	70	100	345

** High speed version upon request
 * Any other displacement upon request

MOTORS WITH SHRINK DISC COUPLING



HOLLOW SHAFT MOTORS WITH FEMALE SPLINES



MD SERIES

DIMENSIONS:

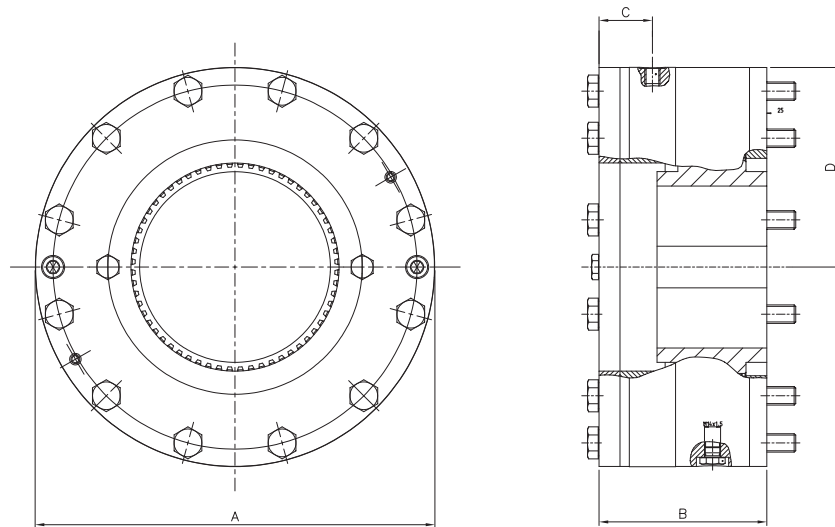
MOTORS WITH SHRINK DISC COUPLING

MOTOR TYPE	A (MM)	B (MM)	DW (MM)	E (MM)	F (MM)	G (MM)	WEIGHT (KG)	MAIN CONNEX. (A1, A2, C1, C2)	DRAIN CONNEX. (D1, D2)
HM12.0	650	994	160	321	520	962	663	SAE 1 1/4"	BSP 3/4"
HM6.0	650	994	160	321	520	962	697	SAE 1 1/4"	BSP 3/4"
HM6.5	650	1062	180	390	520	1032	724	SAE 1 1/4"	BSP 3/4"

HOLLOW SHAFT MOTORS WITH FEMALE SPLINES

MOTOR TYPE	A (MM)	B (MM)	C (MM)	D (MM)	E (MM)	F (MM)	WEIGHT (KG)	MAIN CONNEX. (A1, A2, C1, C2)	DRAIN CONNEX. (D1, D2)
HM12.0	650	933	N150x5x30x28x9H	260	520	893	627	SAE 1 1/4"	BSP 3/4"
HM13.0	650	933	N150x5x30x28x9H	260	520	893	653	SAE 1 1/4"	BSP 3/4"
HM15.0	650	990	N200x5x30x38x9H	305	520	950	681	SAE 1 1/4"	BSP 3/4"

BRAKE: (STATIC / PARKING)



MOTOR TYPE	A (MM)	B (MM)	C (MM)	D (MM)	BRAKE RELEASE PRESSURE	BRAKE TORQUE N.M. MAX
HM12-15	480	195	62	260	20-30 BAR	60,000