



LD SERIES



MASCOT LD Series hydraulic motors are developed for high speed applications and perform with high efficiency in tough conditions. These motors find uses mainly in Wagon Tippler, Side Arm Charger, Slew Drive and Paddle Feeder.

The compact size, light weight and ease of installation make these motors highly suited

for mobile applications. Several mounting options are available for high radial load applications.

The axial load capacity of our LD Series motors is high. This makes them very suitable for use in Paddle Feeder Wheel Drive and other applications where axial forces are high.

Parking brake at the front of the motor ensures high holding torque.

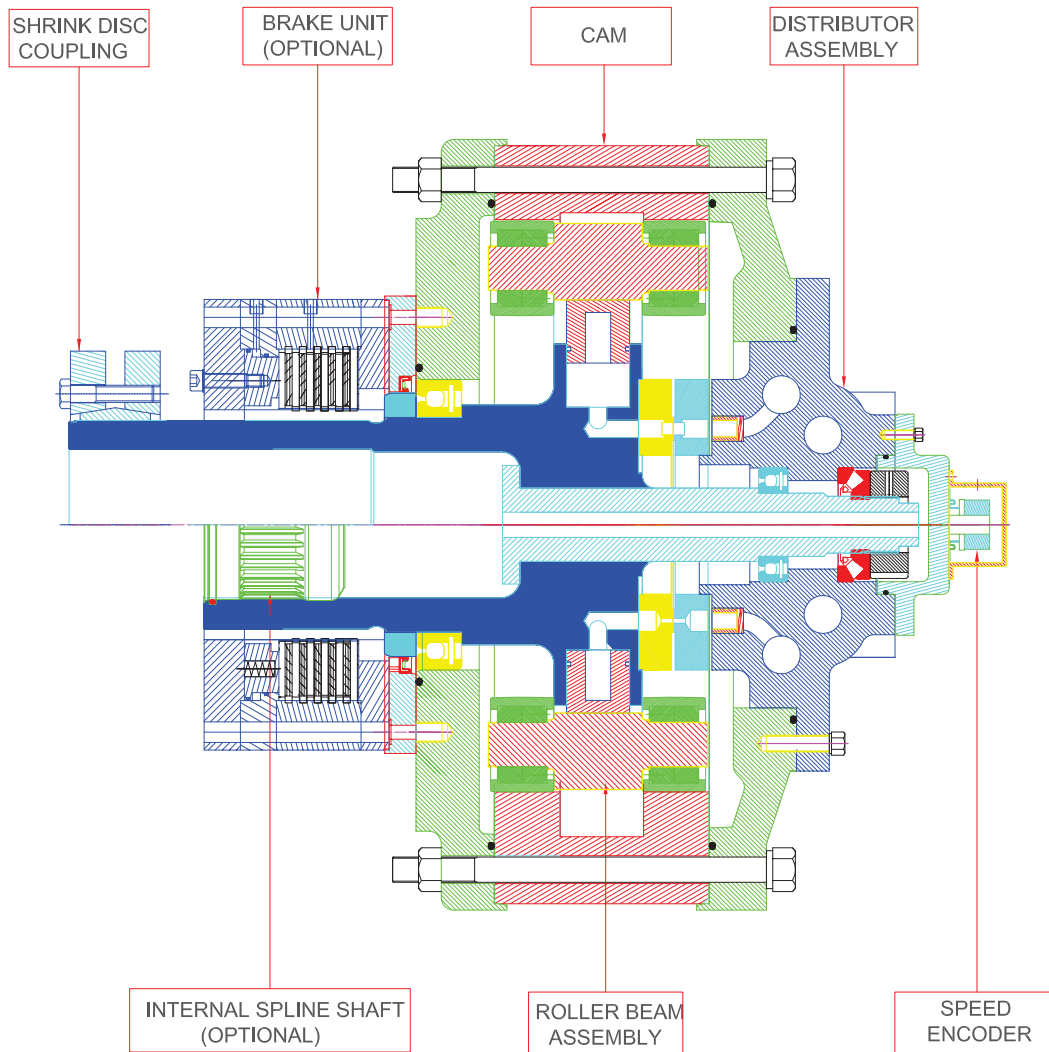
OPTIONS

- CUSTOMIZED SHAFT
- INTEGRAL MULTI PLATE DISC BRAKE
- HIGH SPEED VERSIONS
- DOUBLE SHAFT
- SUPER LOW NOISE
- CORROSION RESISTANT MATERIAL
- THROUGH HOLE SHAFT OF VARIOUS SIZES
- CUSTOM FINISH
- DEEP WATER SUBMERSIBLE
- NON MAGNETIC MATERIAL
- DUAL DISPLACEMENT

FEATURES

- LONG LIFE
- HIGH MECHANICAL EFFICIENCY
- CONSTANT TORQUE OUTPUT
- SMOOTH LOW SPEED PERFORMANCE<1RPM
- RESISTANCE TO THERMAL SHOCK
- DOUBLE SHAFT SEALING
- SHRINK DISC COUPLING
- SHAFT OR FLANGE MOUNTING
- SHOCK RESISTANCE
- LOW NOISE

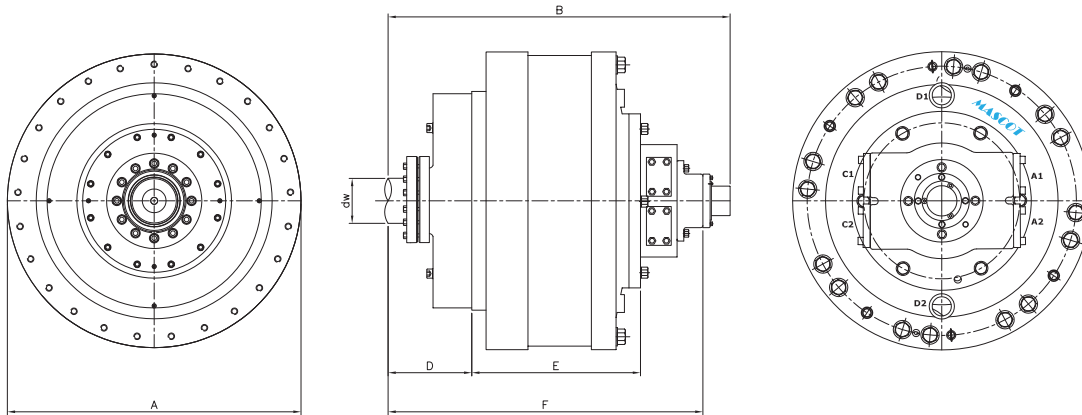
MASCOT HYDRAULIC MOTOR



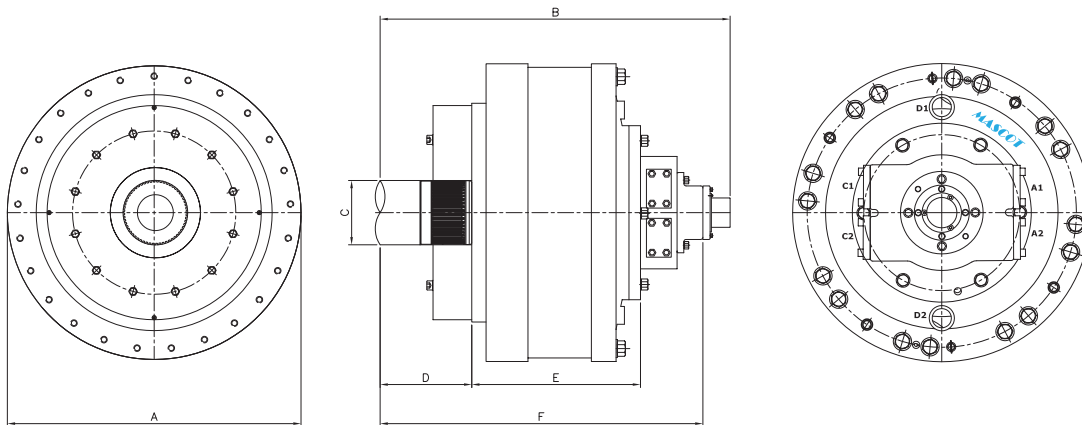
MOTOR FRAME SIZE	SPECIFICATION					
	DISP(*) PER REV	TORQUE (THEORETICAL)	TORQUE MAX	SPEED RATED	SPEED MAX**	PRESSURE RATED
METRIC	CM ³ /REV	NM/BAR	NM	RPM	RPM	BAR
HM5.0	5070	81	26730	140	220	345
HM6.0	6180	98.2	32406	120	190	345
HM6.5	6580	104.6	34320	100	160	345
HM7.5	7530	120	39600	100	160	345
HM9.0	9080	144	47520	80	120	345

** High speed version upon request
 * Any other displacement upon request

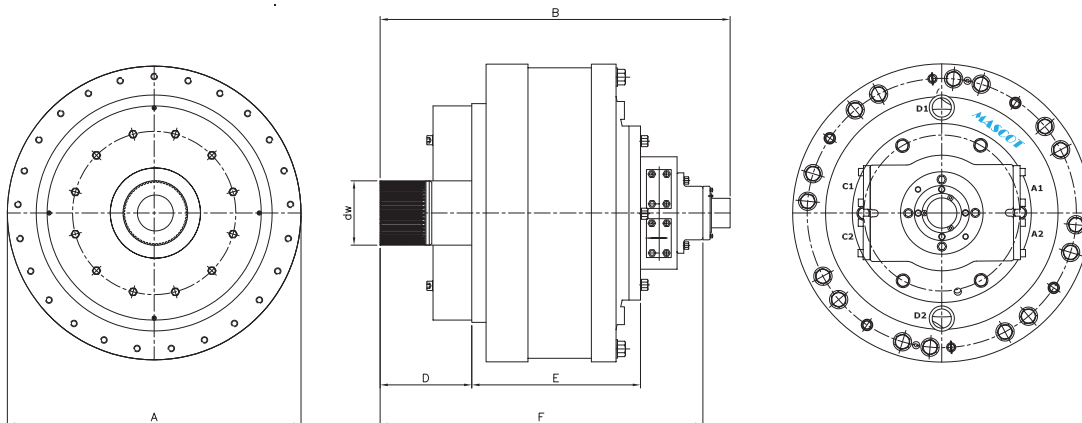
MOTORS WITH SHRINK DISC COUPLING



HOLLOW SHAFT MOTORS WITH FEMALE SPLINES



EXTERNAL SHAFT MOTORS WITH MALE SPLINES



LD SERIES

DIMENSIONS:

MOTORS WITH SHRINK DISC COUPLING

MOTOR TYPE	A (MM)	B (MM)	DW (MM)	E (MM)	F (MM)	G (MM)	WEIGHT (KG)	MAIN CONNEX. (A1, A2, C1, C2)	DRAIN CONNEX. (D1, D2)
HM5.0	650	725	120	259	313	693	495	SAE 1 1/4"	BSP 3/4"
HM6.0	650	767	140	301	313	735	518	SAE 1 1/4"	BSP 3/4"
HM6.5	650	767	140	301	313	735	542	SAE 1 1/4"	BSP 3/4"
HM7.5	650	767	140	301	313	735	561	SAE 1 1/4"	BSP 3/4"
HM9.0	650	965	140	290	520	932	618	SAE 1 1/4"	BSP 3/4"

HOLLOW SHAFT MOTORS WITH FEMALE SPLINES

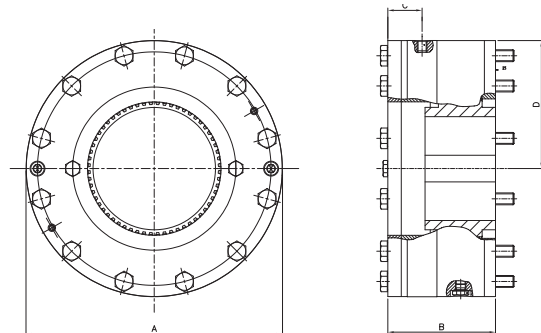
MOTOR TYPE	A (MM)	B (MM)	C (MM)	D (MM)	E (MM)	F (MM)	WEIGHT (KG)	MAIN CONNEX. (A1, A2, C1, C2)	DRAIN CONNEX. (D1, D2)
HM5.0	650	651	N120x5x30x22x9H	185	313	619	481	SAE 1 1/4"	BSP 3/4"
HM6.0	650	671	N140x5x30x26x9H	205	313	639	498	SAE 1 1/4"	BSP 3/4"
HM6.5	650	671	N140x5x30x26x9H	205	313	639	522	SAE 1 1/4"	BSP 3/4"
HM7.5	650	671	N140x5x30x26x9H	205	313	639	535	SAE 1 1/4"	BSP 3/4"
HM9.0	650	890	N140x5x30x26x9H	238	520	850	578	SAE 1 1/4"	BSP 3/4"

EXTERNAL SHAFT MOTORS WITH MALE SPLINES

MOTOR TYPE	A (MM)	B (MM)	C (MM)	D (MM)	E (MM)	F (MM)	WEIGHT (KG)	MAIN CONNEX. (A1, A2, C1, C2)	DRAIN CONNEX. (D1, D2)
HM5.0	650	725	N130x5x26x26x9F	259	313	693	463	SAE 1 1/4"	BSP 3/4"
HM6.0	650	725	N130x5x26x26x9F	259	313	693	484	SAE 1 1/4"	BSP 3/4"
HM6.5	650	767	N150x5x30x26x9F	301	313	735	502	SAE 1 1/4"	BSP 3/4"
HM7.5	650	767	N150x5x30x26x9F	301	313	735	520	SAE 1 1/4"	BSP 3/4"

BRAKE: (STATIC / PARKING)

MOTOR TYPE	A (MM)	B (MM)	C (MM)	D (MM)	BRAKE RELEASE PRESSURE	BRAKE TORQUE NM MAX
HM5-7.5	400	165	53	200	20-30 BAR	16,660
HM9	480	195	62	240	20-30 BAR	50,000



* Technical dimensions are subject to change without prior notice