



HD SERIES



MASCOT HD Series hydraulic motors aim to provide high torque for low speed applications. On specific request, the motors can also be custom-made to suit high speed requirements. These motors incorporate the “high-flow” distribution system. The HD Series motors are always torque arm mounted, making them the ideal choice for applications such as Bucket Wheel Drive,

Apron Feeder, Kiln Drive etc., to eliminate misalignment.

The motors run with high efficiency and the power output from the motor is as high as 1000 KW. The Mascot HD Series motors ensure trouble free operation even in dusty environmental conditions.

OPTIONS

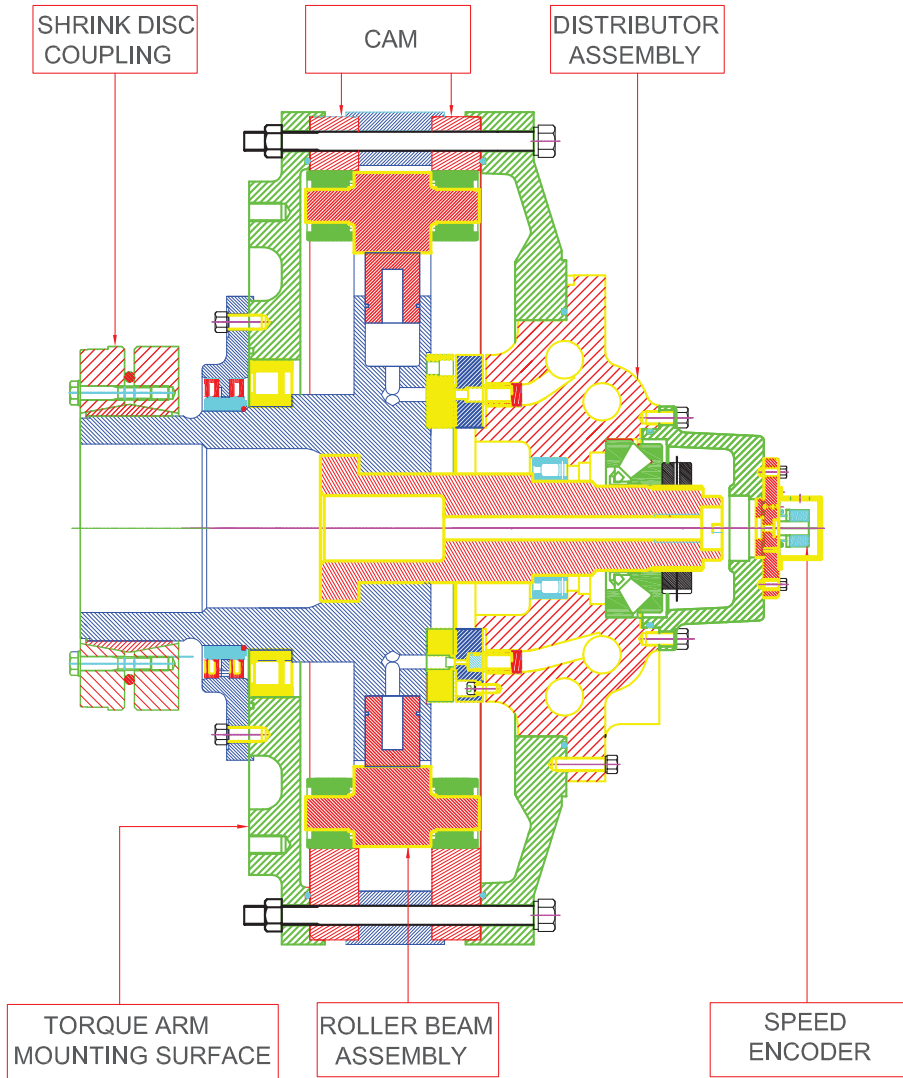
- CUSTOMIZED SHAFT
- INTEGRAL MULTI PLATE DISC BRAKE
- HIGH SPEED VERSIONS
- DOUBLE SHAFT
- SUPER LOW NOISE
- CORROSION RESISTANT MATERIAL
- THROUGH HOLE SHAFT OF VARIOUS SIZES
- CUSTOM FINISH
- DEEP WATER SUBMERSIBLE
- NON MAGNETIC MATERIAL
- DUAL DISPLACEMENT

FEATURES

- LONG LIFE
- HIGH MECHANICAL EFFICIENCY
- CONSTANT TORQUE OUTPUT
- SMOOTH LOW SPEED PERFORMANCE<1RPM
- RESISTANCE TO THERMAL SHOCK
- DOUBLE SHAFT SEALING
- SHRINK DISC COUPLING
- SHAFT OR FLANGE MOUNTING
- SHOCK RESISTANCE
- LOW NOISE

TECHNICAL SPECIFICATIONS

MASCOT HYDRAULIC MOTOR



MOTOR FRAME SIZE	SPECIFICATION					
	DISP(*) PER REV	TORQUE (THEORETICAL)	TORQUE MAX	SPEED RATED	SPEED MAX**	PRESSURE RATED
METRIC	CM ³ /REV	NM/BAR	NM	RPM	RPM	BAR
HM25	25320	402	132660	40	60	345
HM30	30580	486	160380	35	50	345
HM36	35460	563	185790	32	42	345
HM50	50168	798	279180	26	38	345

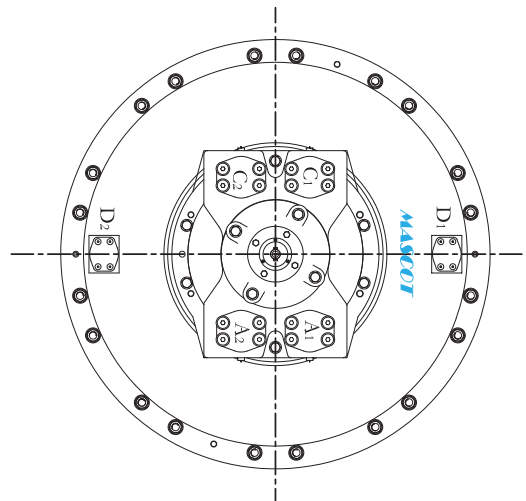
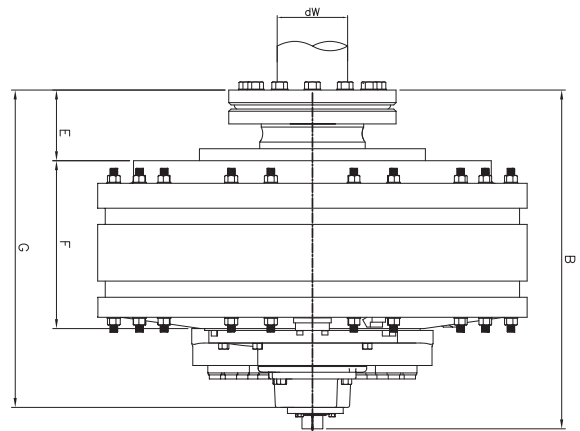
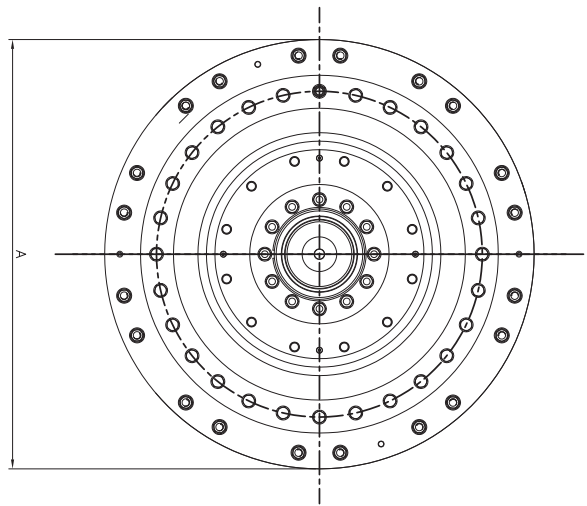
** High speed version upon request
 * Any other displacement upon request

HD SERIES

DIMENSIONS:

MOTORS WITH SHRINK DISK COUPLING

MOTOR TYPE	A (MM)	B (MM)	DW (MM)	E (MM)	F (MM)	G (MM)	WEIGHT (KG)	MAIN CONNEX. (A1, A2, C1, C2)	DRAIN CONNEX. (D1, D2)
HM25	1140	807	200	160	380	787	2400	SAE 2"	SAE 1 1/4"
HM30	1140	834	260	227	380	810	2520	SAE 2"	SAE 1 1/4"
HM36	1140	834	260	227	380	810	2580	SAE 2"	SAE 1 1/4"
HM50	1280	903	260	235	869	869	2980	SAE 2"	SAE 1 1/4"



* Technical dimensions are subject to change without prior notice